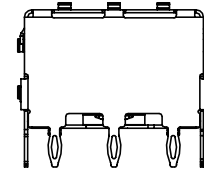
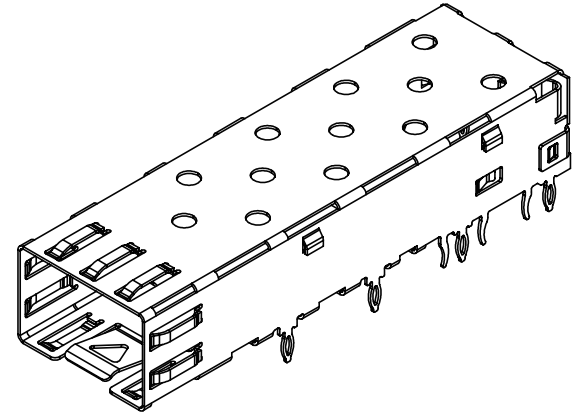
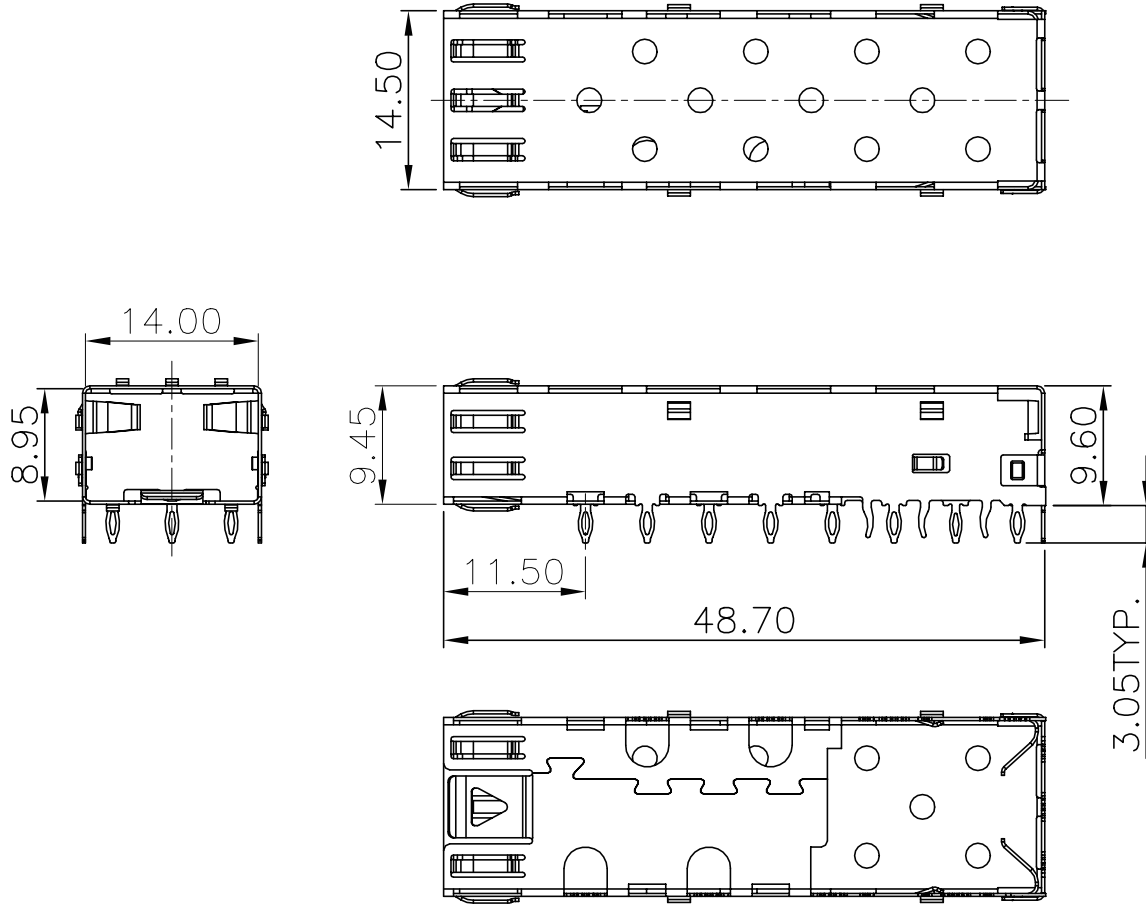


Customer drawings



NOTES:
 1.MATERIAL:
 COPPER ALLOY THICKNESS: 0.25mm

VOOHU 苏州沃虎电子科技有限公司
 Su Zhou Voohu Electronic Tech.Co.Ltd

TITLE:
 SFP 1X1 SHELL-2K(压接式)

SIZE
 A4
 UNITS
 MM[INCH]

GENERAL TOLERANCES
 UNLESS SPECIFIED

APPROVED BY:
 Geoffrey.Song

PART NO.:
 WH81-111-Y0002-1

SCALE
 1:1

REV
 A0

$x \pm 0.35$
 $.x \pm 0.30$

$x^\circ \pm 3.0^\circ$
 $.x^\circ \pm 2.0^\circ$

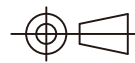
CHECKED BY:
 Elvis.Song

TEL: +86 400 1048 018

WEB: WWW.WOHU-TEK.COM

REMARK:

SHEET
 1/2

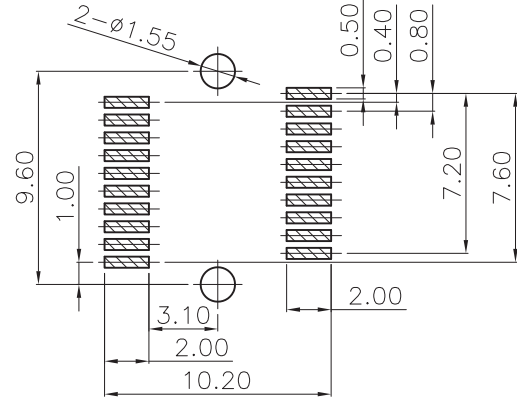
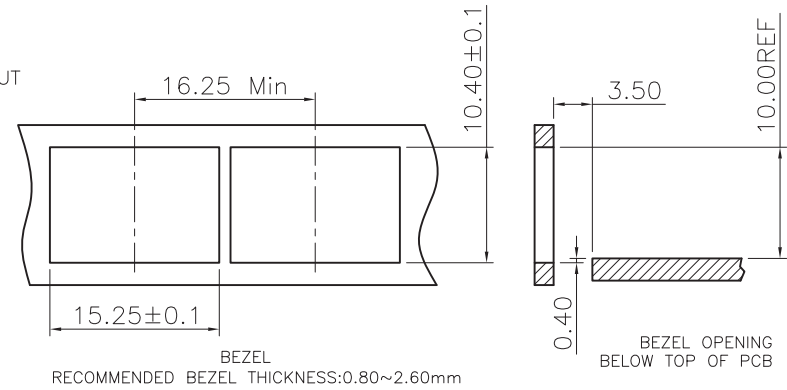
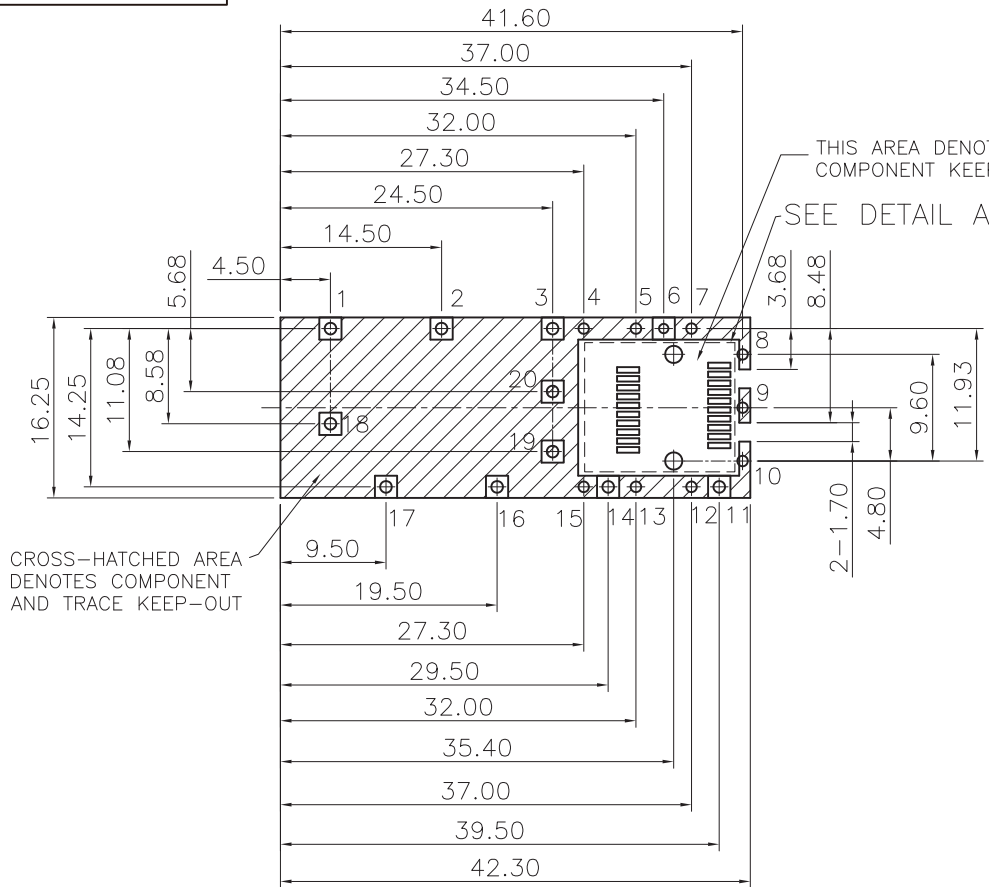


$.xx \pm 0.25$
 $.xxx \pm 0.10$

$.xx^\circ \pm 1.5^\circ$
 $.xxx^\circ \pm 1.0^\circ$

DESIGNED BY:
 Sunny.Xu

Customer drawings



- 1. RECOMMENDED PCB THICKNESS:2.36
(MINIMUM PCB THICKNESS:1.57)
(ALL TOLERANCES ARE ±0.05)
- 1,2,3,11,14,16,17,18,19,20#孔直径为1.05mm;
- 4,5,7,8,9,10,12,13,15#孔直径为0.95mm;
- 6#孔直径为0.85mm;



TITLE: SFP 1X1 SHELL-2K(压接式)	SIZE A4	UNITS MM[INCH]	GENERAL TOLERANCES UNLESS SPECIFIED		APPROVED BY: Geoffrey.Song
			x±0.35	x°±3.0°	
PART NO.: WH81-111-Y0002-1	SCALE 1:1	REV A0	.xx±0.30	.x°±2.0°	CHECKED BY: Elvis.Song
			.xxx±0.10	.xxx°±1.0°	
REMARK:	SHEET 2/2				DESIGNED BY: Sunny.Xu

TEL: +86 400 1048 018 WEB: WWW.WOHU-TEK.COM